

GL

GINGIVAL LEVEL  
implant



**C-TECH**  
IMPLANT

# TABLE OF CONTENTS

## GL - GINGIVAL LEVEL IMPLANT

Implant characteristics	page 04
Dental implant	page 05
Prosthetic components	page 06
Ball attachment system	page 08
Temporary peek abutments	page 09
Anchor abutment system	page 10
Bar	page 11

## SURGICAL KIT

Deluxe surgical kit	page 12
Reduced surgical kit	page 13
Drills & bone taps	page 14
Surgical kit components	page 15



All of the materials produced by C-TECH follow a validated procedure, which includes surface treatment and packing as well, in conformity with European and international directives EN ISO 13485:2003/AC:207 and 93/42/EEC relative to medical devices.



## PRECISION DENTAL SOLUTIONS

C-Tech Implant is a dynamic company with aggressive growth, producing components and product lines primarily for dental implantology.

## INTERNATIONAL PRESENCE

With production and management based in Italy, C-Tech Implant is active in all major world markets and is distributed in over 20 countries.

## SCIENTIFIC RESEARCH, ADVANCED TECHNOLOGY, SIMPLIFICATION

C-Tech Implant differentiates itself with attention to research and the application of high technology to its products, all while maintaining a simplicity of insertion and ease of use.

C-Tech Implant incorporates the latest trends in implantology but providing for very practical surgical and prosthetic solutions aimed at offering the practitioner and the patient optimal results.

## HIGH QUALITY STANDARDS KEPT WITHIN REACH

C-Tech Implant products are made to the highest standards governing the manufacturing and management of European medical and dental components.

Up to date audits and certifications assure that these standards are vigilantly maintained.

## TRAINING & ADVICE

Dental professionals are assisted by the rich knowledge and experience of C-Tech Implant personnel and through C-Tech courses and training sessions.

During these courses the professional is able to learn the latest methods of implant placement and reconstruction.

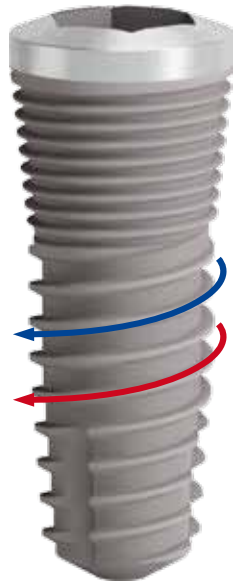
## MISSION STATEMENT

The goal of C-Tech Implant is to provide the highest level of quality for technologically advanced products at reasonable prices in order to allow the dental practitioner to find solutions for the broadest range of patients.



# GL

## GINGIVAL LEVEL implant



## IMPLANT CHARACTERISTICS

### DOUBLE HELIX THREADING

The double-helix design sets C-TECH IMPLANTS apart from the single helix implants by giving them a more symmetrical introduction into the bone. This translates into masticatory load balance which drastically reduces stress. Its symmetry also renders the implant self-centering, eliminating any form of misalignment in terms of the main axis of the osteotomy site.

The pitch of the threads allows for an insertion time that is reduced by half.

### ROOT FORM ANATOMICAL DESIGN

The innovative macromorphological facility of the GL Implant System, with a variable degree of tapering, more pronounced near the apical region, has been designed to make easier the implant's insertion and to achieve a high primary stability even in cases in which the bone is being undermined, ensuring thereby the full integrity of all proximal structures.

### MICRO-THREADING

The micro threads increase functional surfaces, adapting them to the compact cortical bone tissue and safeguard it against aggression from larger threads to be found in conventional implants. Its delicate touch, as such, further reduces bone loss.

Additionally, the micro threads allow the implant depth level to be adjusted.

### INTERNAL HEXAGON CONNECTION SURFACE: PASSIVATED

The implant surface is blasted with aluminum oxide and then subjected to progressive etching using citric acid. This surface treatment accelerates the osseointegration process by providing a greater and more uniform area of contact between bone and implant while favoring an immediate implant load. The treatment provides for a uniform surface with progressive trabeculation to be achieved.

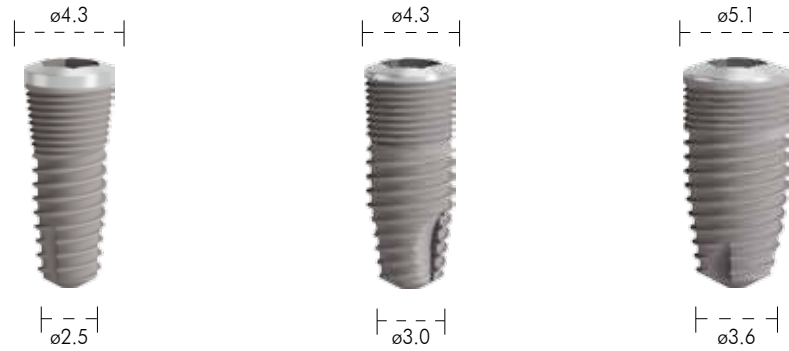
An additional advantage of the citric acid treatment is that it leaves no traces following decontamination, further reducing the risk of implant failure.

### INTUITIVE AND EASY TO USE KIT







An instrumentation kit which has been kept as simple and efficient as possible. Predictable and easy to follow instrument protocols for practitioners of all levels.



# DENTAL IMPLANT



8 mm	CT-3508	CT-4308	CT-5108
9 mm	CT-3509	CT-4309	CT-5109
11 mm	CT-3511	CT-4311	CT-5111
13 mm	CT-3513	CT-4313	CT-5113
15 mm	CT-3515	CT-4315	CT-5115

COVER SCREW	HEALING ABUTMENTS				
					
CT-4305 0.8mm	CT-4330 3.0mm	CT-4345 4.5mm	CT-4365 6.5mm	CT-4385 8.5mm	

PACKAGING	
	
Cover Screw CT-4305 0.8mm	

# PROSTHETIC COMPONENTS

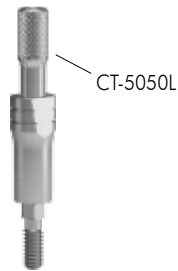
## IMPRESSION POSTS



**CT-4540**  
Hexed Closed Tray Impression Post includes a 5052HX Abutment Screw and Plastic Cap. (Transfer Type)



**CT-5050L**  
Impression Post Screw. For open tray impression using item CT-4540.



**CT-4542**  
Hexed Open Tray Impression Post. Includes CT-5050L Impression Post Screw. (Pickup Type)



## LAB ANALOGS



**CT-5143**  
3.5mm/4.3mm Implant Lab Analog



**CT-5151**  
5.1mm Implant Lab Analog



**CT-5144**  
O-Ball Lab Analog



**CT-5145**  
Shouldered Abutment Analog



## TITANIUM ABUTMENTS



**CT-4525 Hexed**  
Preparable Abutment includes a CT-5052HX Abutment Screw

## TITANIUM BASE



**CT-6045 Hexed**  
Titanium base includes castable cylinder and screw

## ABUTMENT SCREW



**CT-5052HX**



## CASTABLE ABUTMENTS



**CT-5645**  
Non-Hexed Casting Cylinder  
(delrin interface)  
Includes Screw



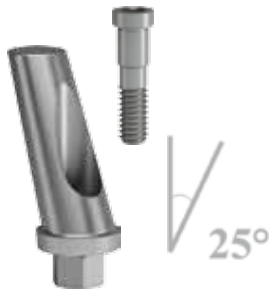
**CT-5845**  
Hexed Casting Cylinder  
(delrin interface)  
Includes Screw



## TITANIUM ANGLED ABUTMENTS



**CT-1543 Hexed**  
Angled Abutment (15°)  
Includes Screw



**CT-2543 Hexed**  
Angled Abutment (25°)  
Includes Screw



## ABUTMENT SSA



**E9040**  
SSA Driver



**CT-4645**  
Non-Hexed  
Shouldered Abutment  
Includes Castable Cap



**CT-5545**  
Castable Cap



# O-BALL ATTACHMENT SYSTEM

## INTENDED USE

Dentures retained by implants in the mandible and maxilla.

## CHARACTERISTICS

- Simple;
- The clinical process for the ball attachment is quick and easy;
- Functional;
- The O-ring attachment is designed to virtually eliminate wear on the Ball Abutment and minimize the need for maintenance;
- 3 different gingival heights;
- 3 different O-ring resistances offering optimal retention for every individual situation.



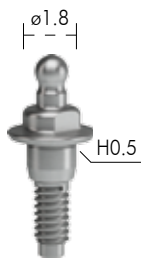
## RELIABLE

Dual retention for optimal abutment-denture connection. Excellent long-term performance due to high wear resistances of components.

### TITANIUM O-BALL ABUTMENT



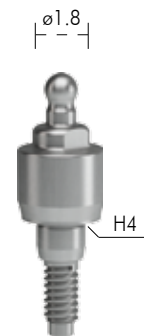
**CT-0500**  
O-Ball Abutment Seating Tool



**CT-5641**  
O-Ball Abutment - 0.5mm Collar  
(Complete Set\*)



**CT-5642**  
O-Ball Abutment - 2mm Collar  
(Complete Set\*)



**CT-5644**  
O-Ball Abutment - 4mm Collar  
(Complete Set\*)

### METAL HOUSING



**MCH-1**  
Soft Retention



**MCH-2**  
Medium Retention



**MCH-3**  
Hard Retention



**MC-3005B**  
O-ring  
5 Pieces



**MC-3005**  
O-ring  
5 Pieces

### COMPLETE SET INCLUDES:



1. O-Ring (Ref. MC-3005, MC-3005B)
2. Metal Housing (Ref. MCH-2)
3. O-Ball Abutment (Ref. 5644, 5642, 5641)



# TEMPORARY PEEK ABUTMENTS

## INTENDED USE

For the support of a temporary prosthesis.

## CHARACTERISTICS

Made from surgical PEEK plastic- Provides medium term support-The PEEK is easy to model with a minimum of vibration to the implant.

## RELIABLE

PEEK plastic has great structural strength while being well adapted for surgical and prosthetic use.



STEP 1  
Prep the abutment with burr

STEP 2  
Polish the prepped abutment

STEP 3  
Place the restoration



# ZIRCONIUM ABUTMENTS

## INTENDED USE

Restorations in the esthetic zone.

## CHARACTERISTICS

Made from White Zirconium oxide they provide a more natural color for the abutment in esthetic zone

## RELIABLE



STEP 1  
Fitting the abutment in the model

STEP 2  
Modelling of the abutment

STEP 3  
Placement of the restoration



# ANCHOR ABUTMENT SYSTEM

## CAPS WITH METAL HOUSING



**141CAE**  
2 Stainless steel housings



**140CEV**  
4 Retentive caps violet "strong" (2.7kg)



**140CET**  
4 Retentive caps white "standard" (1.8kg)



**140CER**  
4 Retentive caps pink "soft" (1.2kg)



**140CEG:**  
4 Retentive caps yellow "extra-soft"(0.6kg)

## ANCHOR ABUTMENT SYSTEM COMPLETE SET



**CT-8994**



**CT-8995**



**CT-8996**



**CT-8997**



**CT-8998**

## COMPLETE SET INCLUDES:



- 1 Anchor abutment (Ref. CT-8994, CT-8995, CT-8996, CT-8997, CT-8998)
- 1 Stainless steel housings (Ref. 141CAE)
- 1 Retentive caps - violet "strong" (Ref. 140CEV)
- 1 Retentive caps - white "standard" (Ref. 140CET)
- 1 Retentive caps - pink "soft" (Ref. 140CER)
- 1 Retentive caps - yellow "extra-soft" (Ref. 140CEG)

## LABORATORY ACCESSORIES



**140CEN**  
4 Processing Caps - black



**144MTE**  
2 Impression Coping



**144AE**  
2 Laboratory Analog



**044CAIN**  
Pull-off Impression Coping

## SURGICAL INSTRUMENTS



**124ICP**  
1 Blue plastic "multiuse" insertion tool

**185IAC**  
1 Metal insertion tool for caps



**191ECS**  
1 Metal extractor tool for caps



**774CQ**  
1 OT-Equator square screw driver for implant abutment (square 1,25mm)



**760CE**  
1 Square driver connector for torque

# BAR

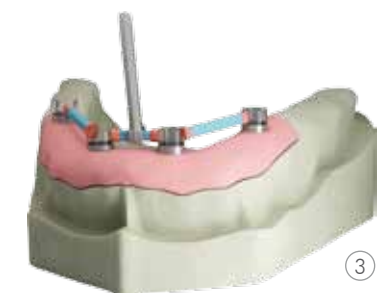


**STEP 1**  
Place the castable Multi-unit abutments on the analogs and tighten the Multi-unit internal screws.

**STEP 2**  
Make height adaptations according to the individual situation.

**STEP 3**  
Use a residue-free burn-out plastic to fix the bar segments to the castable abutments.

**STEP 4**  
The yellow clips(027CRG) are fixed into the prosthesis.



## DELUXE SURGICAL KIT

### DELUXE SURGICAL KIT INCLUDES:

- Locator drill CT-2020
- 2.0 external irrigation drill (Ø 2.0) CT-1720E
- 3.5 external irrigation drill (Ø 3.0) CT-1735E
- 4.3 external irrigation drill (Ø 3.6) CT-1743E
- 5.1 external irrigation drill (Ø 4.6) CT-1751E
- Counterbore CT-2035E
- 3.5 Bone Tap CT-7154E
- 4.3 Bone Tap CT-7155E
- 5.1 Bone Tap CT-7151E
- Drill Extender CT-2000
- Manual Hex Driver Short CT-9025S
- Manual Hex Driver Long CT- 9025
- 1.25mm Hextool Torque Wrench Attachments CT-8051
- 1.25mm Hextool Torque Wrench Attachments (Long) CT-8052
- Implant Latch Driver CT-E9040
- Implant Ratchet Driver (Short) CT-E7001
- Implant Ratchet Driver (long) CT-E7001L
- Torque Wrench (50 Ncm) CT-8010
- Depth Gauge (3.5 mm) CT-E9007
- Depth Gauge (4.3 mm) CT-E9008
- Depth Gauge (5.1 mm) CT-E9010
- Paralleling Pins, qty. 2 (1.6 mm & 2.0 mm) CT-9000
- Paralleling Pins, qty. 2 (3.5 mm & 4.3 mm) CT-9003
- Set metal stopper (L.9/11/13/15) CT-Stop07/08/09/10
- Implant Latch Driver BL-E9040
- Implant Ratchet Driver Short BL-E7001
- Implant Ratchet Driver Long BL-E7001L

### REFERENCES:

Sur.Kit.01:  
Deluxe Surgical Kit for BL And GL Line

Ct-Sur.Kit.01:  
Deluxe Surgical Kit for GL Line



# REDUCED SURGICAL KIT

## REDUCED SURGICAL KIT INCLUDES:

Locator drill CT-2020  
2.0 external irrigation drill (Ø 2.0) CT-1720E  
3.5 external irrigation drill (Ø 3.0) CT-1735E  
4.3 external irrigation drill (Ø 3.6) CT-1743E  
Counterbore CT-2035E  
Stopper (9 mm) CT-Stop07  
Stopper (11 mm) CT-Stop08  
Drill Extender CT-2000  
Manual Hex Driver Short Ct-9025S  
Manual Hex Driver Long Ct- 9025  
Implant Ratchet Driver (Short) CT-E7001  
Implant Latch Driver Ct-E9040  
Torque Wrench (50 Ncm) CT-8010  
Paralleling Pins, qty. 2 (1.6 mm & 2.0 mm) CT-9000

## REFERENCES:

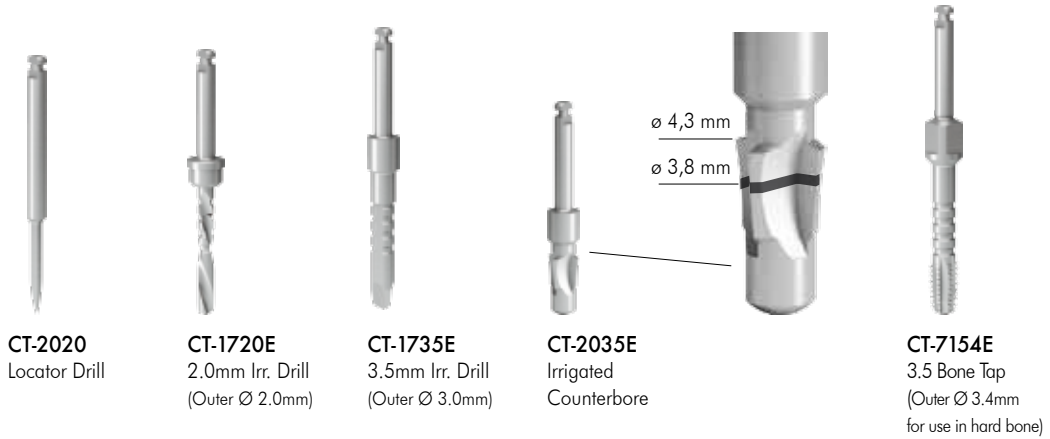
Sur.Kit.02:  
Reduced Surgical Kit for GI Line



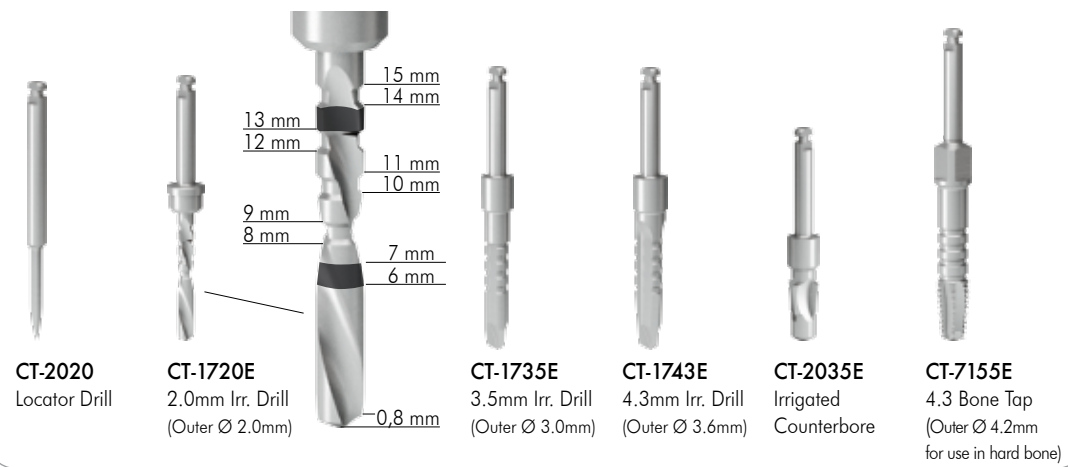
## DRILLS & BONE TAPS



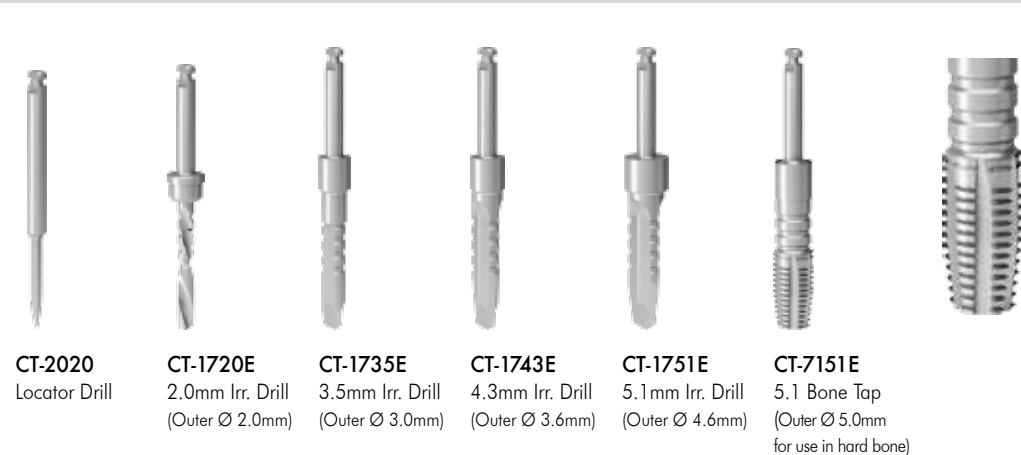
### SURGICAL PROCEDURE GL Ø 3.5 IMPLANT



### SURGICAL PROCEDURE GL Ø 4.3 IMPLANT



### SURGICAL PROCEDURE GL Ø 5.1 IMPLANT



# SURGICAL KIT COMPONENTS

## SURGICAL FACILITATORS

### PARALLELING PINS



**CT-9003**  
3.5 mm  
4.3mm



**CT-9000**  
1.6 mm  
2.0mm

### DEPTH GAUGES



**CT-E9007**  
3.5mm  
ø est.



**CT-E9008**  
4.3mm  
ø est.



**CT-E9010**  
5.1 mm  
ø est.



**CT-2000**  
Drill Extender

## PROSTHETICS DRIVER



**CT-9025S**  
Hex drivers



**CT-9025**  
Hex drivers



**CT-9019**  
Handpiece Latch



**CT-9024S**  
Swivel hex drivers



**CT-9024**  
Swivel hex drivers



**CT-8051**  
Torque wrench  
attachments



**CT-8052**  
Torque wrench  
attachments

## GL IMPLANT DRIVERS



**CT-E7001**  
Implant ratchet  
driver



**CT-E7001L**  
Implant ratchet  
driver



**CT-E9040**  
Implant latch dri-  
ver

## DRILL DEPTH STOPS



**CT-STOP01**  
Stop L.8



**CT-STOP07**  
Stop L.9



**CT-STOP08**  
Stop L.11



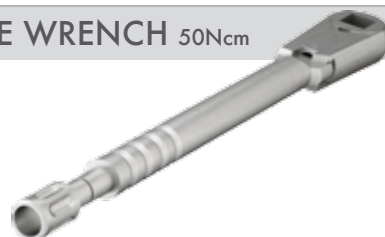
**CT-STOP09**  
Stop L.13



**CT-STOP10**  
Stop L.15

## TORQUE WRENCH 50Ncm

**CT-8010**





Via Santa Margherita al Colle n. 18 - 40136, Bologna - ITALY - Tel. +39 051.81.49.14  
[www.c-tech-implant.com](http://www.c-tech-implant.com) - [info@c-tech-implant.com](mailto:info@c-tech-implant.com)